



Verta Privacy Turn Installation Instructions

Tools required

- Tape measure
- Soft pencil
- Level
- 6.5mm, 8mm & 24mm drill bits
- Power drill
- Philips screwdriver

Note:

Check door thickness first.

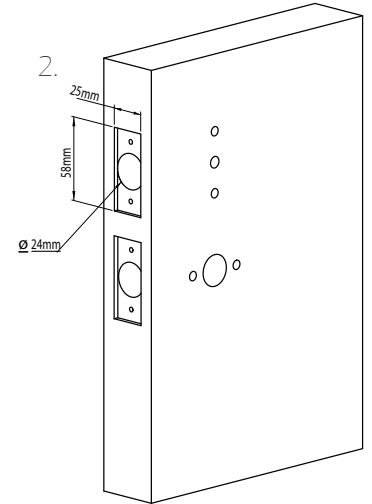
- For doors 35–40mm thick, use 20mm M4 screws (x2)
 - For doors 40–45mm thick, use 30mm M4 screws (x2)
 - Verta Privacy Turn can be through bolt (recommended) or face fixed (for use with mortice lock).
- Verta turn set can be face fixed with G6 screws (not included).

Instruction steps

1. Prepare door (template attached)

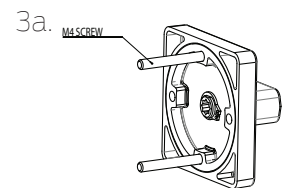
If door is predrilled, go to step 2, otherwise follow the steps below:

- With a soft pencil, mark holes as per drawing
- Check alignment using a level
- Drill holes
- Mark the centre for the latch hole and drill $\text{Ø}24$ mm x 85 mm deep



2. Install Bolt

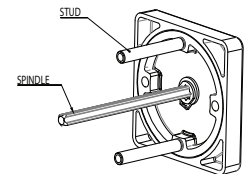
- Insert bolt into hole. Trace around the face plate
- Chisel until faceplate fits flush with door face
- Drill 2 pilot holes for latch fixing screws
- Fasten with screws



3. Furniture installation

3a.

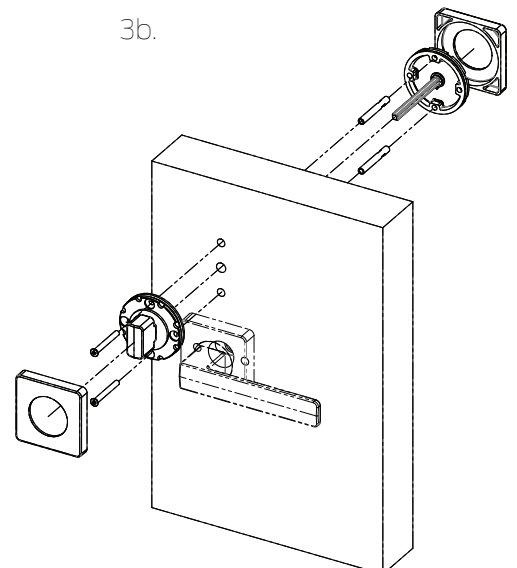
- Screw studs onto rose as shown
- Cut spindle to length and insert into furniture



3b.

- Align studs with drilled holes and mount external furniture to door
- Secure the internal turn with M4 screws
- Install rose caps so they are flush with door surface

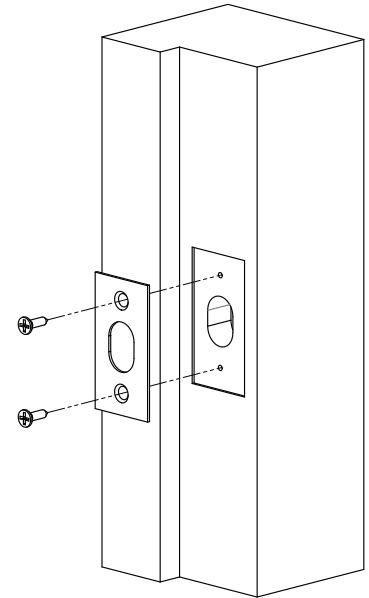
3b.



4. Prepare jamb & install strike

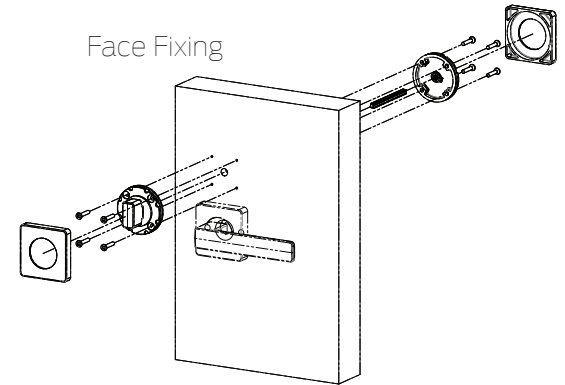
- Mark vertical and horizontal centreline on jamb, exactly opposite centre of latch
- Use strike plate as pattern for cut-out. Chisel until strike plate fits flush with jamb face
- Use strike plate as pattern, chisel or drill 15mm deep for bolt hole
- Drill 2 pilot holes for strike fixing screws
- Fasten with screws

4.



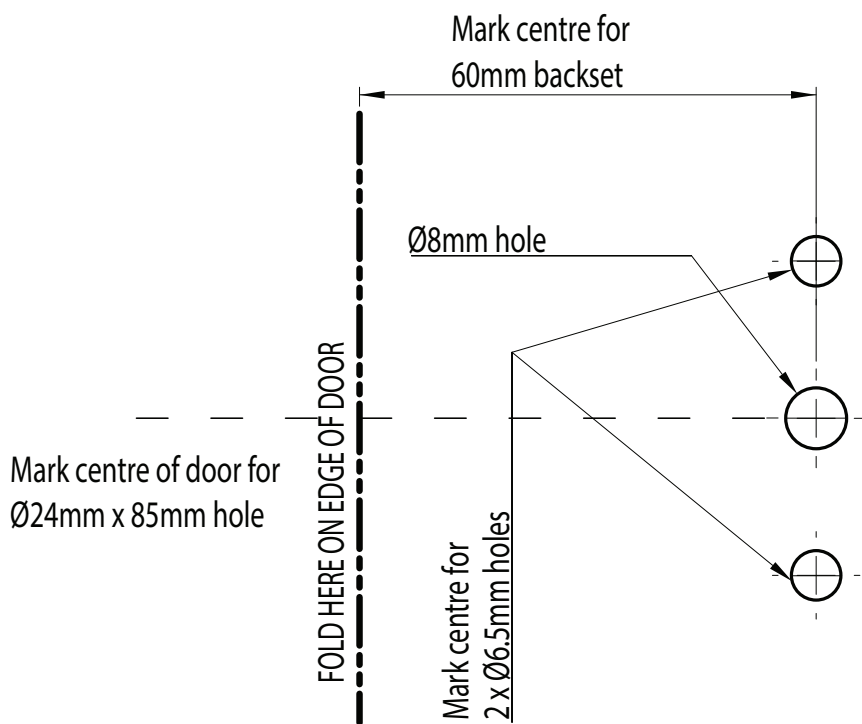
FACE FIXING INSTRUCTIONS (for mortice lock applications)

- Mark spindle hole and pilot holes as per template
- Check alignment using a level and drill holes
- Cut spindle to length and insert into furniture
- Secure furniture with G6 screws (not provided)
- Install rose caps so they are flush with door surface



Drilling template (through fixing)

Important: Double check dimensions if printing from an electronic version



Drilling template (face fixing)

Important: Double check dimensions if printing from an electronic version

